

U_w: 0,84
W/m²K

U_f: 0,90
W/m²K

 **ADOPEN[®]**

W 888 SERIES
PVC PROFILE SYSTEM

W 888 SERIES PVC PROFILE SYSTEM

TECHNICAL

W 888 SERIES

Profile Width: 80 mm

Number of chambers: 8

Profile Class: A-B Class

Seal Type: Triple seal system (External / Internal / Middle) and

Double seal system (External / Internal)

Seal Type and Color: TPE - Grey / Black

Glass Thickness (mm): 22, 24, 32-34, 42, 44, 48-50 mm

The thermal insulation U_f : 0,90W/m²K

U_w : 0,84 W/m²K

INSTRUCTION

80mm profile system.

Thanks to elastic grey and black seal which does not leave any stains profiles will be provided maximum air, water, dust and sound isolation.

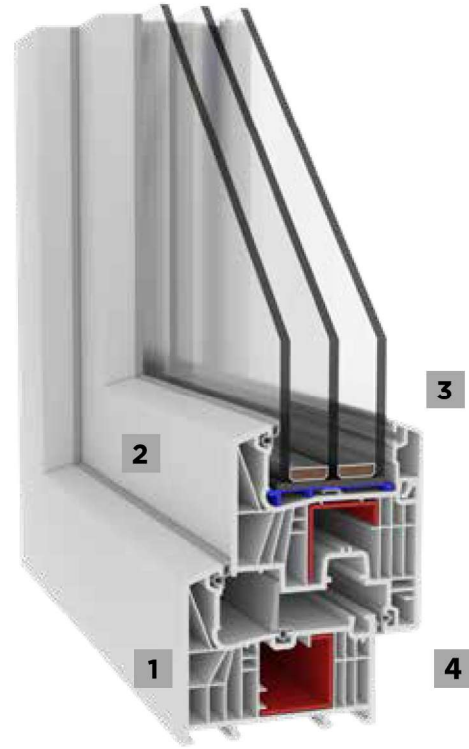
Thanks to 8 chambered profiles, it has maximum performance for thermal, sound and water isolation

Excluding normal sash profile ,there is also chance to have a choice for offset type sash profile.

Possibility to install double or triple glazing (22, 24, 32-34, 42, 44, 48-50mm) with different thicknesses of glazing bead

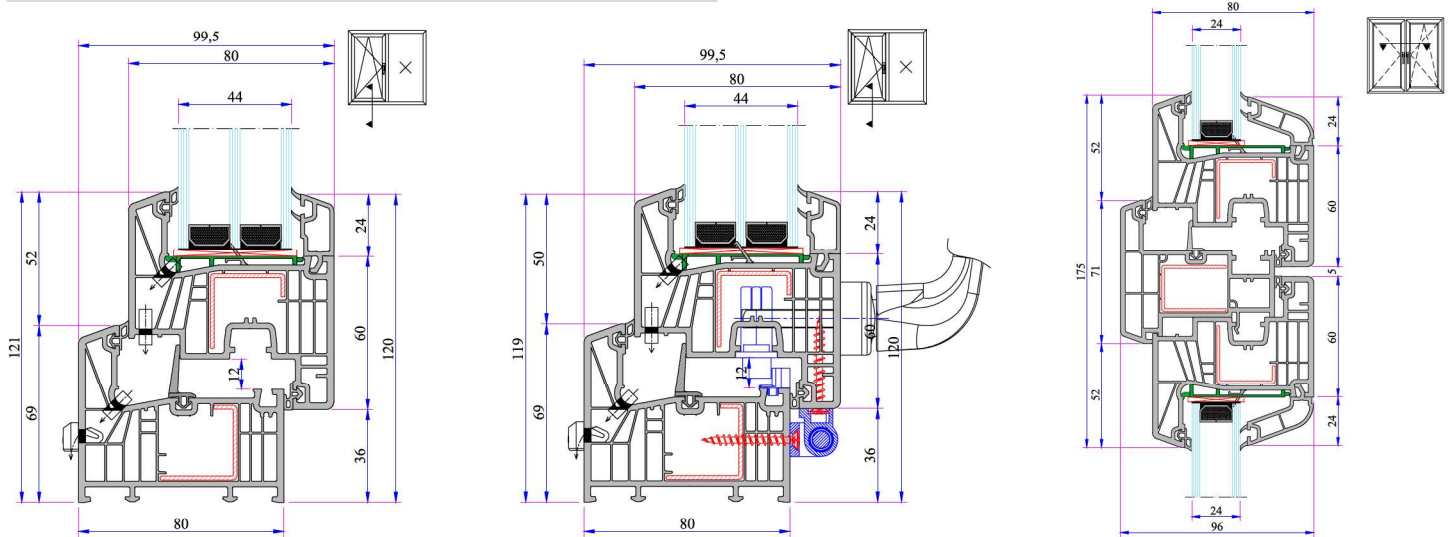
Colour range for laminated products.

It' s quality is accredited by national and internatiorl certificates.



- 1 Frame 8 chambers system.
- 2 Offset and flat sash option
- 3 Double and triple glass option.
- 4 System with central gasket.

INSTALLATION



COLOR OPTIONS



FACTORY

Antalya Organize Sanayi Bölgesi 2. Kısım Mah. 21. Cadde No:3 07040 Döşemealtı /ANTALYA / TURKEY

Tel: +90 242 236 20 00 · Faks: +90 242 236 20 90 · E-mail: info@ado.com.tr · W: www.ado.com.tr